



DAX-8237-BN

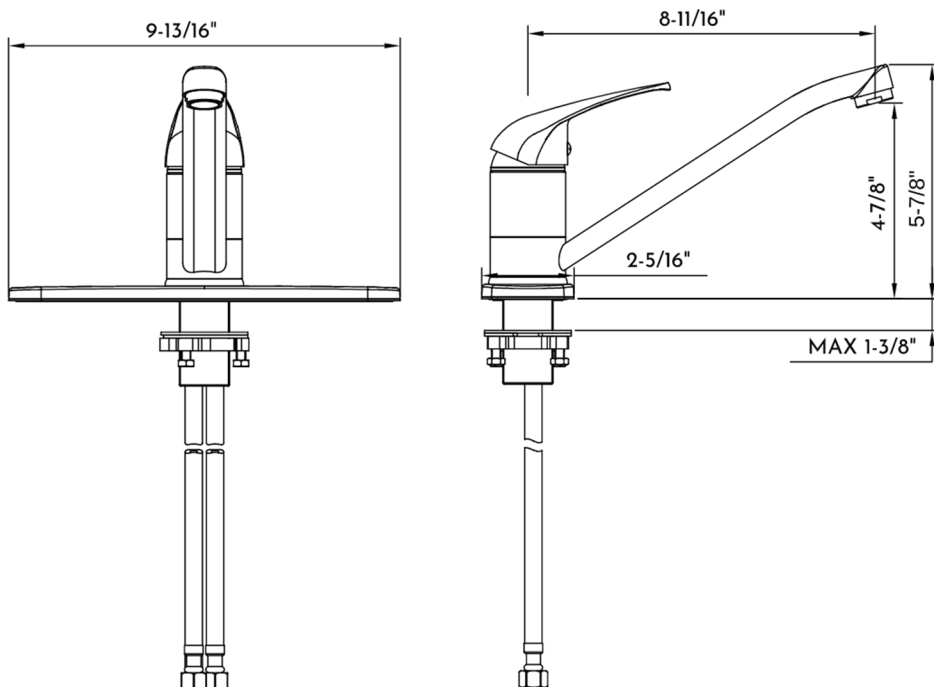


KITCHEN FAUCETS SERIES



## FEATURES

- Single Handle
- Ceramic Cartridge
- Brushed Stainless Steel Finish
- Flow rate: 2.0 GPM
- Deck Plate Cover 9-3/4"
- cUPC - NSF61-9 - AB1953 Approved
- Water lines and Mounting Parts Included
- Brass Body Casting





KITCHEN FAUCET **DAX-8237-BN**

MODEL	DAX-8237-BN
MATERIAL	Brass
FINISH	Brushed Nickel
HEIGHT	5-7/8"
SPOUT HEIGHT	4-7/8"
SPOUT REACH	8-11/16"
FLOW RATE	2.0 GPM
HOT COLD INDICATORS	Yes
DECK PLATE INCLUDED	Yes
COMPATIBLE VALVE TYPE	Ceramic Cartridge
HANDLE STYLE	Single Lever
NUMBER OF HANDLES	One
HOSE LENGHT	27-9/16"
FAUCET HOLES	One
FAUCET HOLE SIZE	1-3/8"
INSTALATION TYPE	Deck Mounted
SPOUT SWIVEL	Yes
MAX DECK THICKNESS	1-3/8"

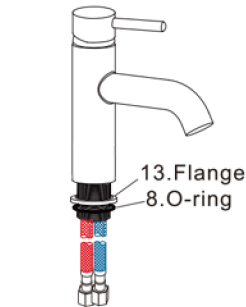
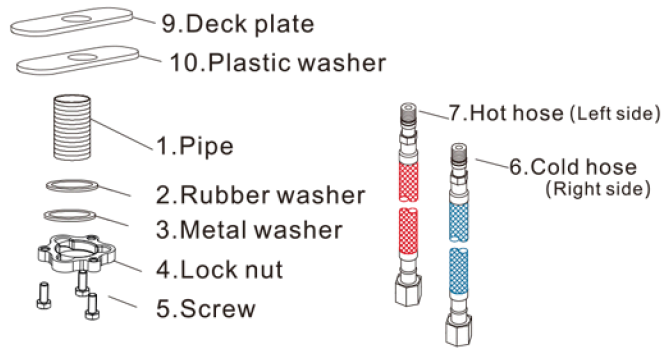
For parts or sale requirements  
please contact our customer service department:



CS@daxib.com

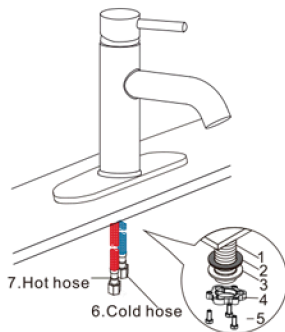
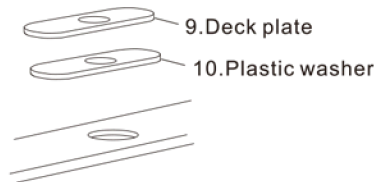


1 888 685 8236

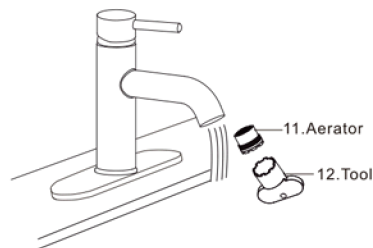


1. Remove the Rubber washer (2), Metal (3) and lock nut (4) from the faucet.

And then put them into the deck plate(9), plastic washer(10) and hole.



2. Screw rubber washer(2), metal washer(3) and lock nut(4) onto the pipe(1). And then connect water supply(not included) on the hot hose(7) and cold hose(6).



3. Open the hot and cold water supplies. Check for leaks. Turn on faucet handle for one minute to flush debris from faucet.

If the product you have purchased don't have the tools, it indicates that you do not need the tools for your product.

If water flow is too small or no water, the aerator may be blocked. If so, you should use the tool(12) to take off the aerator(11), clean it and re-install it.